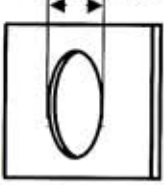


OWNER'S MANUAL

Φ52-53mm(2")



A

如A图,在准备安装仪表面板上开孔Φ52~53mm,并保证面板后面有至少65mm的空间。

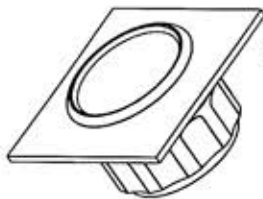
Pic A : Before installation , firstly ,to open a hole (Dia:52~53mm) of the panel, make sure there is a space with (65mm backyard of panel) as well



B

如B图,将仪表放入开好孔的仪表面板中

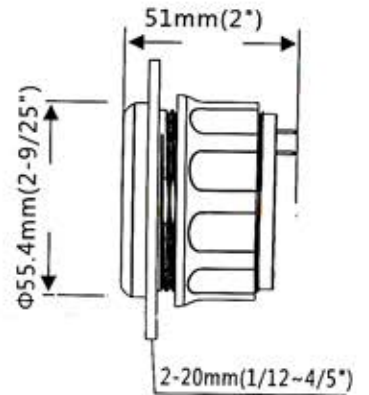
PicB: Put the gauge in the hole



C

如C图,将仪表调整好位置后用仪表后盖将仪表锁紧在仪表面板上

Pic C: Mount the guage in hole, twist the back cover on after adjustment.



D

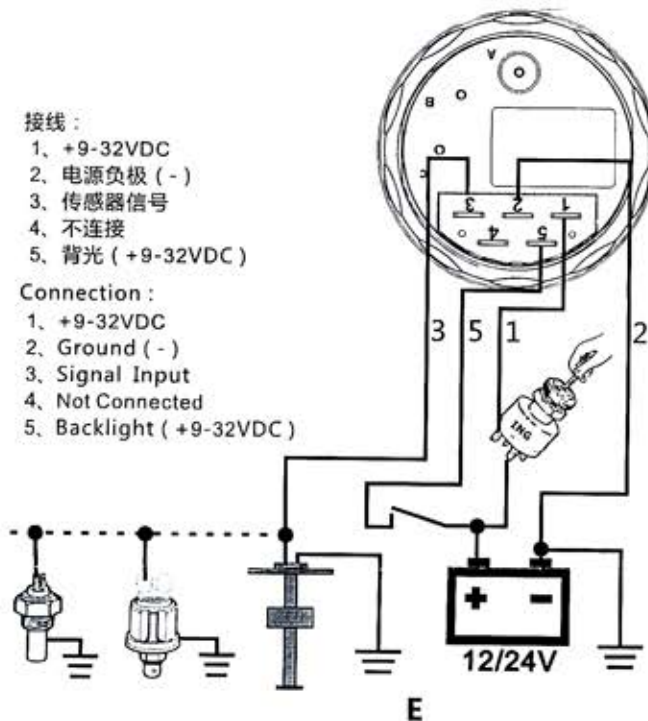
如D图,关于外形尺寸的标注说明
Pic D: Size and annotations

接线:

- 1、+9-32VDC
- 2、电源负极 (-)
- 3、传感器信号
- 4、不连接
- 5、背光 (+9-32VDC)

Connection :

- 1、+9-32VDC
- 2、Ground (-)
- 3、Signal Input
- 4、Not Connected
- 5、Backlight (+9-32VDC)



E

技术参数:

工作电压: 9~32VDC ,
工作电流: ≤60mA;
工作温度: -30~+75°C
存储温度: -40~+85°C.

Specification :

Operating Voltage : 9~32VDC ,
Operating current : ≤60mA;
Operating temperature : -30~+75°C
Storage temperature : -40~+85°C.

参考E图连接电线,如果是电压表和小时计,则没有3号端子(插片尺寸:6.3X0.8mm).

Pic E(Wires Connecting) : Generally, No No.3 terminal for volt meter and hour meter
(Terminal size:6.3x0.8mm)