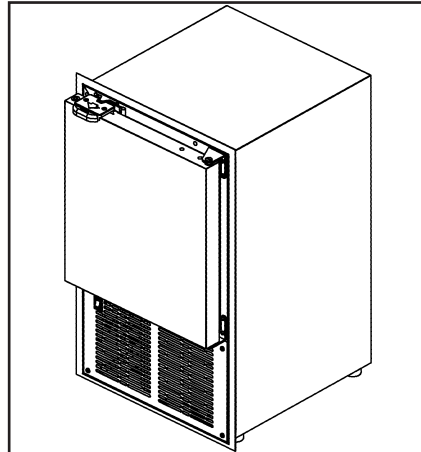


Icerette™

AUTOMATIC ICE CUBE MAKER

INSTALLATION, OPERATION, MAINTENANCE AND TROUBLESHOOTING



Link to online Warranty
Registration

MODEL 88

Be sure unit is standing upright 24 hours prior to plug-in.

TABLE OF CONTENTS	Page
ICE MAKER SAFETY	2
IMPORTANT SAFEGUARDS	3 - 4
COMPONENT LOCATIONS	5
ICE MAKER INSTALLATION	6 - 7
Unpacking	6
Location requirements	6 - 7
Water Connection requirements	7
Electrical requirements	7
OPERATION	8-9
Final check list before operation	8
Operating method	8
CLEANING AND MAINTENANCE	8 - 10
Exterior cleaning	9
Interior cleaning	9
Winterizing	9
Recommissioning	9
Start-up	9
Condenser cleaning	9
TROUBLESHOOTING	10
TECHNICAL INFORMATION	11
LIMITED WARRANTY	12

We reserve the right to make changes in specifications and design without prior notice.

Warning: This unit contains R600a which is flammable hydrocarbon. It's safe for regular use. Don't service without consulting a qualified service tech.

ICE MAKER SAFETY

Your safety and the safety of others are very important.

We have provided many important safety messages in this manual and on your ICER-ETTE™. Always read and obey all safety messages.



This is the Safety Alert Symbol. This symbol alerts you to potential hazards that can injure or kill you and others. All safety messages will follow the Safety Alert Symbol and either the words "**DANGER**", "**WARNING**" OR "**CAUTION**".

! DANGER !

DANGER means that failure to heed this safety statement may result in severe personal injury or death.

! WARNING

WARNING means that failure to heed this safety statement may result in extensive product damage, serious personal injury or death.

CAUTION

CAUTION means that failure to heed this safety statement may result in minor or moderate personal injury, or property or equipment damage.

All safety messages will alert you to what the potential hazard is, tell you how to reduce the chance of injury, and let you know what can happen if the instructions are not followed.

DANGER: Risk of Fire or Explosion! FLAMMABLE REFRIGERENT USED.

Do NOT use SHARP objects to defrost ICER-ETTE™. Refrigerant tubing may be punctured.

IMPORTANT SAFETY INSTRUCTIONS

WARNING: Keep ventilation openings in the ICER-ETTE™ enclosure or in the built-in structure clear of obstruction.

WARNING: Do not use mechanical devices or other means to accelerate the defrosting process.

WARNING: Do not damage the refrigerant circuit.

WARNING: To reduce the risk of fire, electric shock or injury when using your ice maker, follow these basic precautions:

- Plug into grounded 3-prong outlet for 115VAC or 230VAC.
- Do not remove grounding prong.
- Do not use an adapter.
- Do not use an extension cord.
- Disconnect power before cleaning.
- Disconnect power before servicing.
- Replace all panels before operating.
- Use two or more people to move & install ICER-ETTE™.

This ICER-ETTE™ is intended to be used in marine, household and similar applications such as

- staff kitchen areas in shops, offices and other working environments;
- by clients in hotels, motels and other residential type environments;
- bed and breakfast type environments;
- catering and similar non-retail applications.

SAVE THESE INSTRUCTIONS

IMPORTANT SAFEGUARDS

Before the ICER-ETTE™ is used, it must be properly positioned and installed as described in this manual. The manufacturer strongly recommends that you have a professional install your new ICER-ETTE™. The warranty may be affected or voided by an incorrect installation. To reduce the risk of fire, electrical shock or injury when using the ICER-ETTE™, follow basic precautions, including the following:

⚠ DANGER ⚠

- Plug into a grounded 3-prong outlet; do not remove grounding prong, do not use an adapter, and do not use an extension cord, altering power cord can cause serious damage or injury and may void warranty.
- It is recommended that a separate circuit, serving only for your ICER-ETTE™, be provided. Use receptacles that cannot be turned off by a switch or pull chain.
- Do not connect or disconnect the electric plug when your hands are wet.
- Never unplug the ICER-ETTE™ by pulling on the power cord. Always grip the plug firmly and pull straight out from the outlet.
- Never clean ICER-ETTE™ parts with flammable fluids. Do not store or use gasoline or other flammable vapors and liquids in the vicinity of this or any other appliances. The fumes can create a fire hazard or explosion.
- Before proceeding with cleaning and maintenance operations, make sure the power line of the unit is disconnected and the water line is shut off.
- Never allow children to operate, play with or crawl inside the ICER-ETTE™.
- Do not touch the evaporator with your hand when the machine is operating.
- Unplug the ICER-ETTE™ or disconnect power before cleaning or servicing. Failure to do so can result in electrical shock or death.
- Do not attempt to repair or replace any part of your ICER-ETTE™ unless it is specifically recommended in this manual. All other servicing should be referred to a qualified technician.

⚠ WARNING

- Use two or more people to move and install ICER-ETTE™. Failure to do so can result in back or other injury.
- To ensure proper ventilation for your ICER-ETTE™, the front of the unit must be completely unobstructed.
- The ICER-ETTE™ should not be located next to ovens, grills or other sources of high heat.
- The ICER-ETTE™ must be installed with all electrical and water connections in accordance with state and local codes. A standard electrical supply, properly grounded in accordance with the National Electrical Code and local codes and ordinances, is required.
- Do not kink or pinch the power supply cord between the ICER-ETTE™ and cabinet.
- The fuse (or circuit breaker) size should be 15 amperes for 115V and 10 amperes for 230V.
- A GFCI (ground fault circuit interrupter) is not recommended because it could be prone to nuisance tripping.
- It is important for the ICER-ETTE™ to be leveled in order to work properly. Otherwise water may not flow properly to the ice mold.
- All installations must be in accordance with local plumbing code requirements.

! WARNING

- Make certain that hoses are not pinched, kinked or damaged during installation.
- Connect to potable water supply only.
- Check for leaks after water line is connected.
- Although the unit has been tested and cleaned at the factory, due to long-term transit and storage, the first batch of cubes must be discarded.
- Remove the packing materials and clean the ICER-ETTE™ before using.
- Turn on the water supply tap before switching on the ICER-ETTE™. Never turn the water supply tap off when the ICER-ETTE™ is working, unless otherwise instructed in this manual.
- Except to take ice from the unit, keep the door closed in order to reduce ice melting and to promote proper ice formation.
- If the ICER-ETTE™ will not be used for a long time, the interior must be cleaned with a mild soap and water solution.
- Do not use solvent-based cleaning agents or abrasives on the interior. These cleaners may transmit taste to the ice cubes, or damage or discolor the interior.
- Cleaning and user maintenance shall not be made by children without supervision.

SAVE THESE INSTRUCTIONS**Electrical Connection**

Do not, under any circumstances, cut or remove the third (ground) prong from the power cord. For personal safety, this ICER-ETTE™ must be properly grounded. The power cord of this ICER-ETTE™ is equipped with a standard IEC 3-prong grounding plug that mates with a standard 3-prong grounding wall outlet to minimize the possibility of electric shock hazard from the ICER-ETTE™. 115VAC plug is standard NEMA 15-5P and 230VAC plug is IEC Type F. Have the wall outlet and circuit checked by a qualified electrician to make sure the outlet is properly grounded. When a standard 2-prong wall outlet is encountered, it is your responsibility and obligation to have it replaced with a properly grounded 3-prong wall outlet.

The ICER-ETTE™ should always be plugged into its own individual electrical outlet which has a voltage rating that matches the rating label on the ICER-ETTE™. This provides the best performance and also prevents overloading boat wiring circuits which could cause a fire hazard from overheated wires. Never unplug your ICER-ETTE™ by pulling on the power cord. Always grip the plug firmly and pull straight out from the outlet. Repair or replace immediately all power cords that have become frayed or otherwise damaged. Do not use a cord that shows cracks or abrasion damage along its length or at either end. When moving the ICER-ETTE™, be careful not to damage the power cord.

If the supply cord is damaged, it must be replaced by the manufacture, its service agent or similarly qualified persons in order to avoid a hazard.

Extension Cord

Because of potential safety hazards under certain conditions, it is strongly recommended that you do not use an extension cord with this ICER-ETTE™.

Exploded View of Model 88 ICER-ETTE™

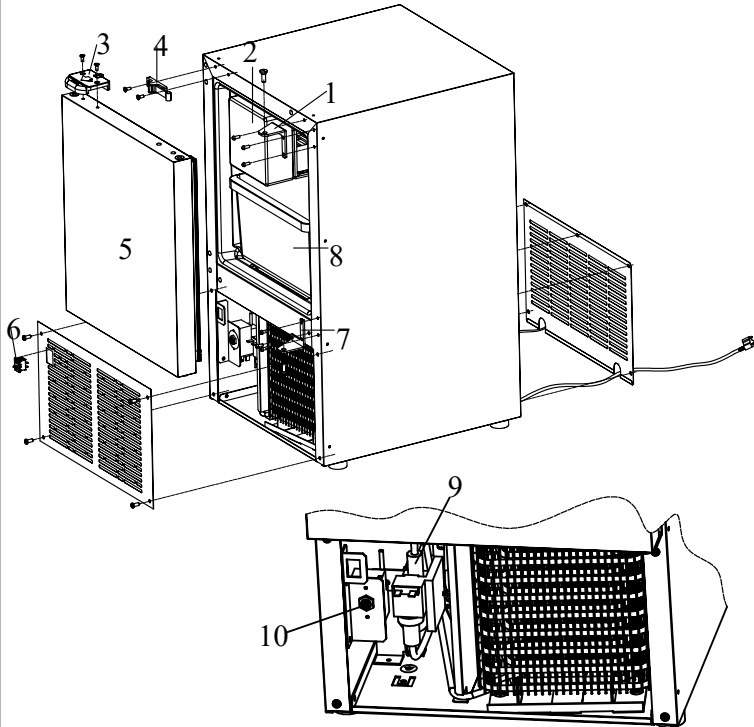


FIG 1

item part # Description

FIG1

- 1 87201W Top and bottom Hinge
Includes(7)
- 2 882021 Icemaker 115V
882022 Icemaker 230V
- 3 87203W Handle Latch Assy.
Includes(4)
- 5 87205 S/S Door Assy.
- 6 88206 Power Switch
- 8 87209 Ice Bucket
- 9 872111 Water Valve 120V AC
872112 Water Valve 230V AC
- 10 87215 Cold Control

Not Shown:

- 882131 Compressor w dryer 120V
- 882132 Compressor w dryer 230V
- 872441 Fan motor 120V
- 872442 Fan motor 230V
- 87205G Door Gasket
- 872101 Power Cord 115V
- 872102 Power Cord 230V
- 87230W BI-FLANGE (88B Model)
- 87231P FLUSH MT FLANGE (88F Model)

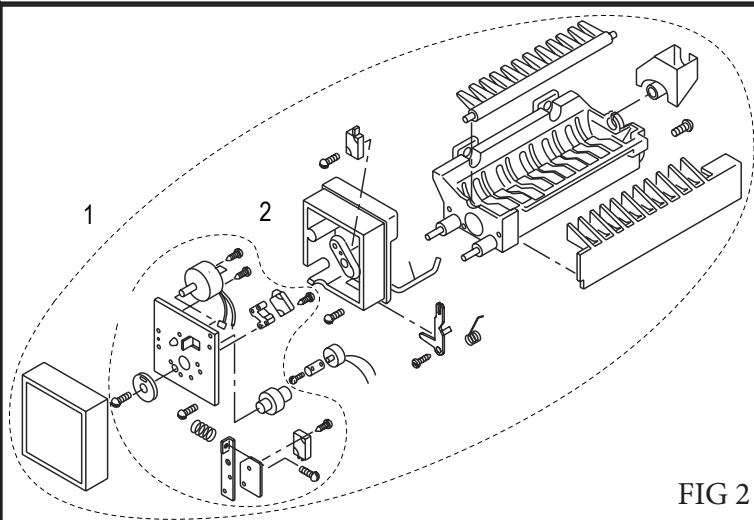


FIG 2

FIG 2

- 1 882021 Icemaker 115V
882022 Icemaker 230V
- 2 872021M Motor assy. faceplate 115V
872022M Motor assy. faceplate 230V

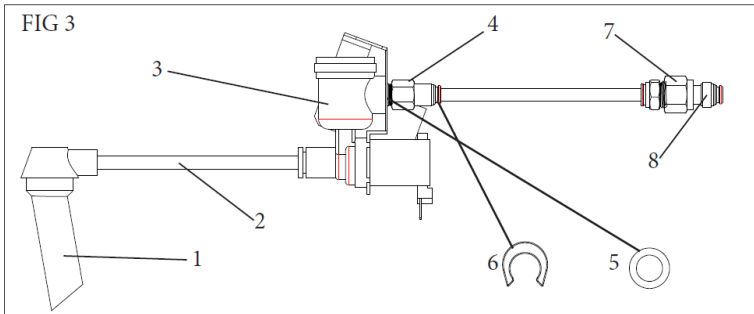


FIG 3

FIG 3

- 1 872113 Water Connector
- 2 872114 Water Hose
- 3 872111 Water Valve 120V
872112 Water Valve 230V
- 4 872115 Water Outlet Connector
- 5 872116 Water Line Black Rubber Seal
- 6 872117 Water Line Plastic Buckle
- 7 872118 Water Supply Connector 2
- 8 872119 Water Supply Connector 1

Unpacking

! **WARNING**

Excessive Weight Hazard
 Use two or more people to move and install ICER-ETTE™.
 Failure to do so can result in back or other injury.

Remove packaging materials

IMPORTANT: Do not remove any permanent instruction labels or the data label on your ICER-ETTE™.

Remove tape and glue from your ICER-ETTE™ before using.

- To remove any remaining tape or glue, rub the area briskly with your thumb. Tape or glue residue can also be easily removed by rubbing a small amount of liquid dish soap over the adhesive with your fingers. Wipe with warm water and dry.
- Do not use sharp instruments, rubbing alcohol, flammable fluids, or abrasive cleaners to remove tape or glue. These products can damage the surface of your ICER-ETTE™.

Cleaning before use

After you remove all of the packaging materials, clean the inside of your ICER-ETTE™ before using it.

Location requirements:

Required Cabinet Opening : 14 1/4”(362mm) W x 24 5/8”(626mm) H for B Model
 15 1/8”(384mm) W x 24 5/8”(626mm) H for F Model

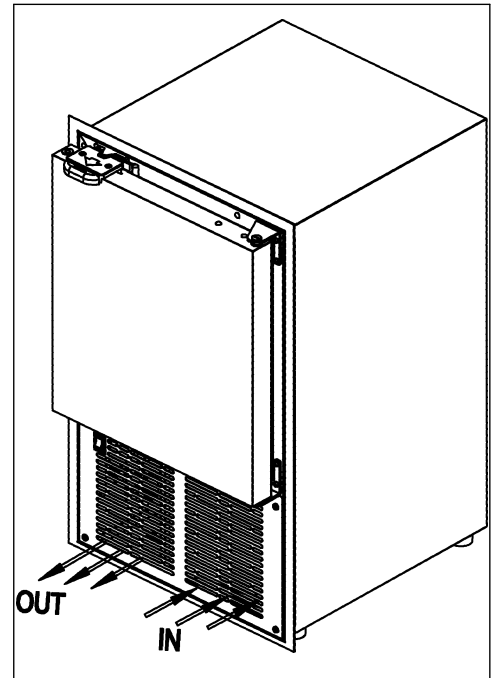
FIG 4

WARNING: This device does not meet Federal requirement for ignition protection. DON'T install, in spaces containing gasoline engines, fuel tanks or fuel line fittings. Failure to comply could result in accidental injury or death.

- If unit is to be built-in, 3/4”(2cm) or more must be allowed behind the unit for water line and plug clearance for proper operation. Built-in units are designed for zero clearance at the top and each side of the unit. Fan-forced condenser cooling is used. This requires air circulation through lower section of unit(see FIG 4).

CAUTION:

- 1. Air path for exhaust and fresh air intake must be unrestricted! Recirculation between fresh air intake and exhaust air must be prevented.**
- 2. Any restriction of airflow or ventilation will disrupt normal operation of the unit, resulting in damage to components and voids warranty.**



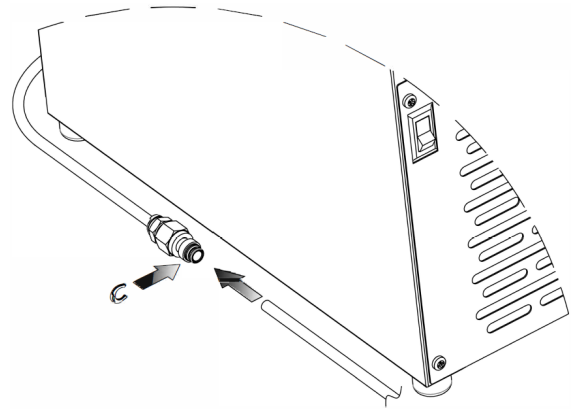
- Choose a well ventilated area. This unit MUST be installed in a location protected from the elements, such rain, water spray or drips.
- The unit should not be located next to ovens, grills or other high heat sources.
- When installing the unit it should be noted that some servicing requires access to the rear of the unit and that the unit must be readily removable should servicing be necessary.
- Units are designed to operate between 50°F (10°C) and 100°F(38°C). High ambient temperatures (100°F/38°C or higher) may reduce Ice production rate. For best performance, keep the unit out of direct sunlight and away from heat generating equipment.
- Unit must sit on a secure level surface. Mounting flange must NOT be used to support the unit's weight. It is important for the ICER-ETTE™ to be leveled in order to work properly. If needed, you can adjust the height of the ICER-ETTE™ by revolving the rubber feet.
- When mounting unit within cabinetry, make sure that the door has the desired range of motion. All doors are hinged on the right(facing the unit) but may be reversed in the field.

- The ICER-ETTE™ must be installed with all electrical and water connections in accordance with all state and local codes.
- A standard electrical supply, properly grounded in accordance with the National Electrical Code and local codes and ordinances, is required.

Water Connection Requirements

- Always use the clip to lock the water line after insert to the quick fitting adapter.(see FIG 5)
- Connect to potable water supply only.
- Installation of the ICER-ETTE™ requires a pressurized cold water supply inlet of 1/4 in. (6.35mm) tubing with a shut-off valve.
- When plumbing the unit, 18”(45cm) of water line extends from the back with a 1/4” (6.35mm) plastic female compression fitting.
- A minimum of 20 psig(0.14MPa) is required for proper operation of the water valve.
- Drains are not required; just a water supply.

FIG 5



Electrical requirements

⚠ **DANGER** ⚠

Electrical Shock Hazard

Plug into a grounded 3- prong outlet.
 Never remove the ground prong from the plug.
 Never use an adapter.
 Never use an extension cord.
 Failure to follow these instructions can result in fire, electrical shock or death

Before you move your ICER-ETTE™ into its final location, it is important to make sure you have the proper electrical connection:

- A standard electrical supply, properly grounded in accordance with the National Electrical Code and local codes and ordinances, is required. The ICER-ETTE™ should always be plugged into its own individual electrical outlet.
- It is recommended that a separate circuit, serving only your ICER-ETTE™ be provided. Use a recep tacle that cannot be turned off by a switch or pull chain.
- The fuse (or circuit breaker) size should be 15 amperes for 115V and 10 amperes for 230V.A GFCI (ground fault circuit interrupter) is not recommended because it could be prone to nuisance tripping.

Recommended grounding method:

For your personal safety, this ICER-ETTE™ must be grounded. This ICER-ETTE™ is equipped with a power supply cord having a 3-prong grounding plug. To minimize possible shock hazard, the cord must be plugged into a mating 3-pronged and grounding-type wall receptacle, grounded in accordance with the National Electrical Code and local codes and ordinances. If a mating wall receptacle is not available, it is the personal responsibility of the customer to have a properly grounded, 3-prong wall receptacle installed by a qualified electrician.

OPERATION

Final Check List before Operation

1. Have all packing materials and tape been removed from the interior and exterior of the ICER-ETTE™?
2. Did you clean the ice storage bucket?
3. Have the installation instructions been followed, including connecting the ICER-ETTE™ to water and electricity?
4. Has the ICER-ETTE™ been leveled?
5. Is ICER-ETTE™ in location where ambient temperature is less than 100°F/38°C (see page 6)?
6. Has the water supply pressure been checked to ensure a minimum of 20 psig(0.14MPa) with a static pressure not to exceed 120 psig(0.82MPa)?
7. Is there a clearance of at least 3/4" (2cm) at the rear?
8. Has the power supply voltage been checked or tested against the nameplate rating? And has proper grounding been installed in the ICER-ETTE™?
9. Is the ICER-ETTE™ plugged in?
10. Have you turned on the main water supply ?
11. Have you checked for leaks at all water supply connections?

Operating method

The ICER-ETTE™ on-off switch is just beneath the door. The ICER-ETTE™ begins to produce ice within 60-90 minutes after start-up. Ice production stops automatically when the bucket is full enough to interfere with the wire shut-off arm. If the unit is turned off, keep the door open using door prop (see figure 6). This allows air to dry the inside of the cabinet, reducing the chance for mildew and damage to the mold mechanism's components. NOTES:

1. Due to fast freezing, ice cubes may appear “cloudy”. This is trapped air in the water and does not affect the taste or quality of the ice.
2. “Hollow” ice cubes may result from fast-freezing under certain climatic conditions such as high humidity, etc. and is not an indication of a problem with the ICER-ETTE™.
3. If cooling only is desired and no ice production is needed, add a solid spacer to support the bin arm. The bin arm may not reliably stay up on its own.

IMPORTANT:

- Although the ICER-ETTE™ has been tested and cleaned at the factory, due to long-term transit and storage, the first batch of cubes must be discarded.
- Never turn the water supply tap off when the ICER-ETTE™ is working, unless otherwise instructed in this manual.
- Except to take ice from the unit, keep the door closed to reduce melting and insure proper ice formation.

CLEANING AND MAINTENANCE

Periodic cleaning and proper maintenance will ensure efficiency, top performance, and long life. The maintenance intervals listed are based on normal conditions. You may want to shorten the intervals if you have pets, or there are other special considerations.

- Periodically vacuum dust and dirt from the condenser, locate behind the grille at the bottom front of the unit.
- Regularly inspect plumbing connections to ensure that no leaks are present.

What shouldn't be done:

Never keep anything in the ice storage bucket that is not ice: objects like wine and beer bottles are not sanitary.

IMPORTANT:

- Do not touch the power plug when your hands are wet.
- Never unplug the unit by pulling on the cord. Grasp the plug and pull out firmly.

Exterior cleaning

Stainless steel can discolor when exposed to chlorine gas and moisture. Clean stainless steel with a mild detergent and warm water solution and a damp cloth. Never use an abrasive cleaning agent. Stainless Steel polish should be used on a regular basis to help maintain component finish.

Interior cleaning

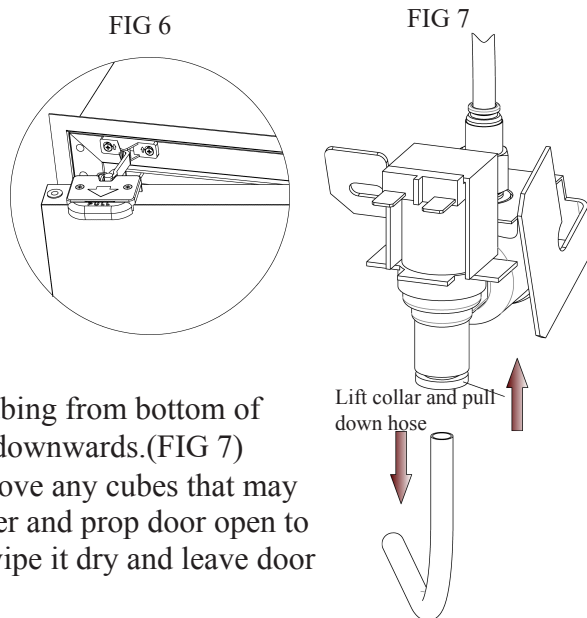
When necessary, defrost and thoroughly clean the inside of the unit with mild soap and water. Do not use electrical heating devices, sharp or pointed tools when defrosting.

When defrosting or leaving open the unit turned off, prop and leave the door open using door prop. This allows air to dry the inside of the cabinet, reducing the chance for mildew and damage to the mold mechanism's components.

WINTERIZING

WARNING: Disconnect power at source by unplugging the unit or shutting off the circuit breaker before working on the unit. Do not winterize this unit with ANY type of antifreeze; damage to the mold coating will occur, invalidating product's Limited Warranty and creating potential health hazard.

1. Shut off the water supply to the unit.
2. Remove front grille and disconnect white plastic tubing from bottom of water valve by lifting collar up and pulling tubing downwards. (FIG 7)
3. Turn power on. Allow unit to run for an hour. Remove any cubes that may have been ejected during this period. Turn off power and prop door open to allow the inside to defrost. After it has defrosted, wipe it dry and leave door open using door prop. (FIG 6)



Recommissioning

Connect water supply line, turn on water, check for leaks, then restore power to the unit. ICER-ETTE™ will begin to produce ice within 60-90 minutes after start up.

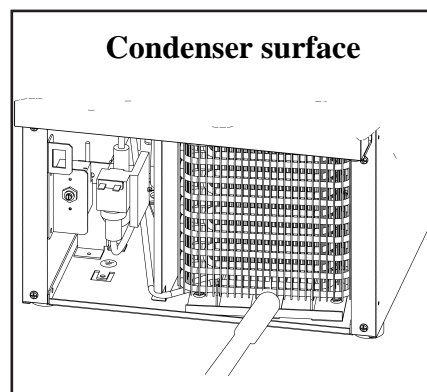
Start-up

Turn on water, check for leaks and then turn on power. Turn on switch (located just below the door). Fan and compressor will normally turn on immediately, resulting in air circulation through the grille and a faint hum from the compressor. If ICER-ETTE™ was shut off while in ice harvesting cycle, it will have to complete the cycle before compressor and fan turn on (approximately 5 minutes). Interior temperature will drop below freezing. First harvest of ice should occur in 60-90 minutes after start-up. After lines are purged of air, normal harvesting and refilling occur every 40 minutes or less, under normal conditions.

Condenser cleaning

A dirty or clogged condenser prevents proper airflow, reduces ice making capacity, and causes higher than recommended operating temperatures that may lead to component failure. Have the condenser cleaned at least once every six months.

1. Unplug the ICER-ETTE™ or disconnect power.
2. Remove the 4 screws on the front cover and gently pull it off.
3. Remove dirt and lint from the condenser and the unit compartment with the brush attachment of a vacuum cleaner.
4. Reassemble the front grille.
5. Plug in the ICER-ETTE™ or reconnect power.



TROUBLESHOOTING

WARNING: DO NOT touch the condenser.

TROUBLESHOOTING:

Before Calling for Service

If the unit appears to be malfunctioning, read through the OPERATION section of this manual first. If the problem persists, check the Troubleshooting Guide on the following pages. Some of the problems mentioned in the Guide can be solved easily without a service call.

Troubleshooting Guide

Problem	Possible cause	Probable Correction
The ICER-ETTE™ doesn't operate.	The ICER-ETTE™ is unplugged. The breaker is tripped. The ICER-ETTE™ power switch is set at OFF. The ice storage bucket is full of ice.	Plug the ICER-ETTE™ in, Check Breaker. If it happens again, call for service to check for a short circuit in the unit. Switch the ICER-ETTE™ power switch to ON. Remove some ice cubes. Be sure the wire shut-off arm is free of ice.
The water doesn't feed in after the ICER-ETTE™ starts.	The water supply is turned off. The water supply is not properly connected. Unit hasn't cooled to adequate temperature to allow water cycle to occur.	Turn on the water supply . Reconnect the water supply. allow unit to cool for at least 60-90 minutes.
ICER-ETTE™ makes ice, but at a very slow rate	The condenser may be dirty. The air flow to the ICER-ETTE™ may be obstructed. Ice production will be slower in summer months The ambient temperature is high, air flow is obstructed or unit is near some heat source.	Clean the condenser. Check the installation.
Water is leaking out of the unit.	Water supply connection is leaking.	Tighten fitting.
The unit frosts up inside.	Door left open. Frost accumulation is normal.	Defrost as needed. Closed the door.
Cubes are partially formed.	Not enough water in the ice mold	Check if the water supply pressure is below 20 psig.(0.14MPa) Check water supply or filter may be restricted.
Noise during operation	Unit may not be level. Fan blade may be hitting shroud	Level and secure the unit. Turn off unit and manually align fan blade.

TECHNICAL INFORMATION

SPECIFICATIONS:

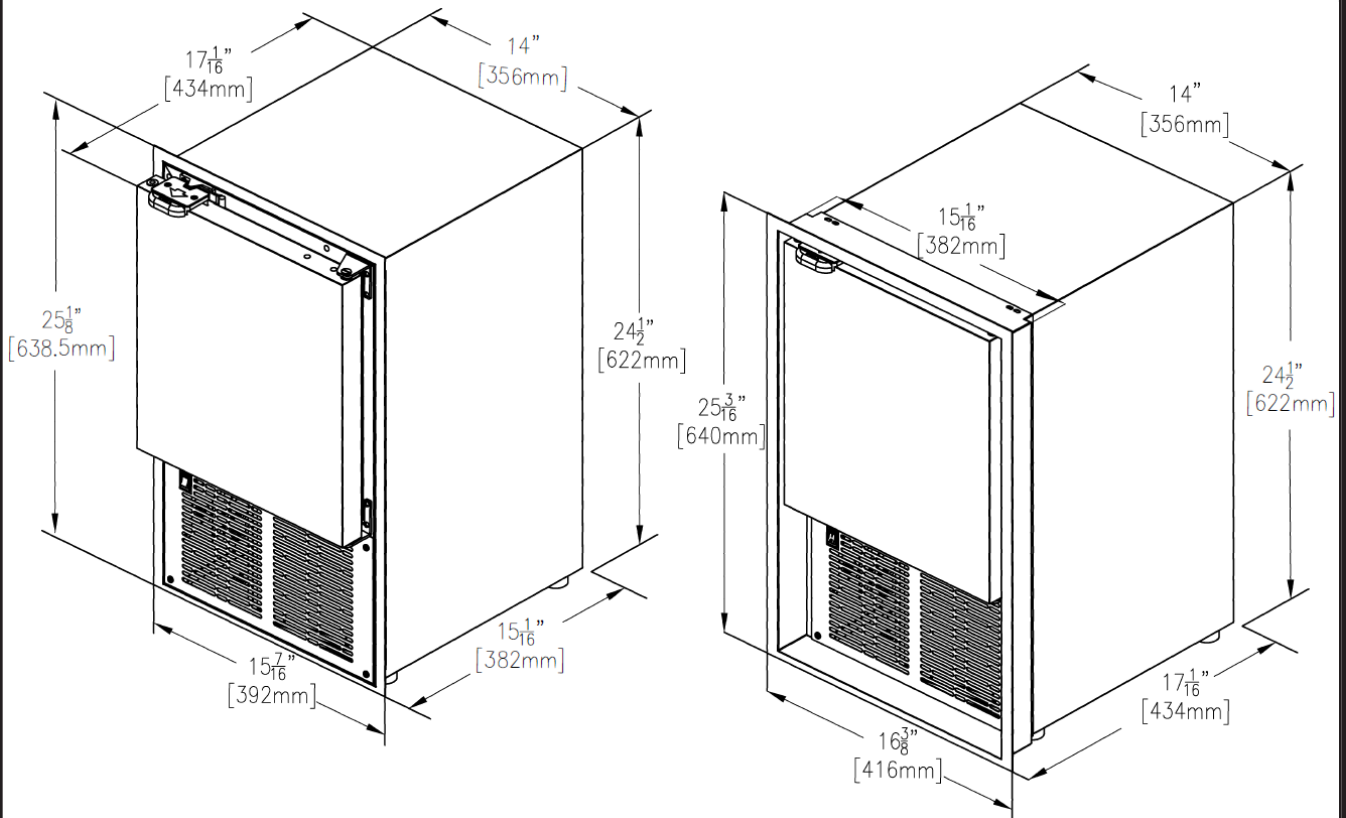
Model:	88
Electrical power:	115VAC ~ 60Hz or 230V AC~50Hz
Ice-making /-harvest rated current:	1.9A/3ØA (115V) 0.95A/0.9A (230V)
Refrigerant:	R600a, 1.55 oz.(44g)*337X+ R600a, 1.48 oz.(42g)(230V)
High/Low side pressure:	120psig(0.83MPa) / 55psig(0.34Mpa)
Width x depth x height(mm):	14"(356) x 17 1/16"(434) x 24 1/2"(622)*
Unit weight:	51 lbs (23.5KG)
Maximum ice storage:	11 lbs (4.9KG)
Ice-making capacity:	23 lbs (11.4 KG) /day**
Ice shape:	Crescent
Ice cube dimensions(mm):	1/2"(12)x3/4"(20)x2-3/8"(60)

The technical data and performance index listed above should be used for reference only. They are subject to change.

*The height include 1/2" (12mm) rubber feet.

**The actual quantity of ice produced per day can vary with room and water conditions.

Model 88 with Flange:



Recommended Cabinet Opening Size

Model: 88B
14 1/4" (362mm) W x 24 5/8" x (626mm) H

Recommended Cabinet Opening Size

Model: 88F
15 1/8" (384mm) W x 24 5/8" x (626mm) H

SAVE THESE INSTRUCTIONS

LIMITED WARRANTY

Raritan Engineering Company warrants to the original purchaser that this product is free of defects in materials or workmanship for a period of one year from the product's date of purchase. Should this product prove defective by reason of improper workmanship and/or materials within the warranty period, Raritan shall, at its sole option, repair or replace the product.

1. TO OBTAIN WARRANTY SERVICE, Consumer must deliver the product prepaid, together with a detailed description of the problem, to Raritan at 530 Orange St., Millville, N.J. 08332. When requesting warranty service, purchaser must present a sales slip or other document which establishes proof of purchase. **THE RETURN OF THE OWNER REGISTRATION CARD IS NOT A CONDITION PRECEDENT OF WARRANTY COVERAGE.** However, please complete and return the owner Registration Card so that Raritan can contact you should a question of safety arise which could affect you.
2. THIS WARRANTY DOES NOT COVER defects caused by modifications, alterations, repairs or service of this product by anyone other than Raritan; defects in materials or workmanship supplied by others in the process of installation of this product; defects caused by installation of this product other than in accordance with the manufacturer's recommended installation instructions or standard industry procedures; physical abuse to, or misuse of, this product. This warranty also does not cover damages to equipment caused by fire, flood, external water, excessive corrosion or Act of God.
3. ANY EXPRESS WARRANTY NOT PROVIDED HEREIN, AND ANY REMEDY FOR BREACH OF CONTRACT WHICH BUT FOR THIS PROVISION MIGHT ARISE BY IMPLICATION OR OPERATION OF LAW, IS HEREBY EXCLUDED AND DISCLAIMED. ALL IMPLIED WARRANTIES SUCH AS THOSE OF MERCHANTABILITY AND OF FITNESS FOR A PARTICULAR PURPOSE, IF APPLICABLE, AS WELL AS ANY IMPLIED WARRANTIES WHICH MIGHT ARISE BY IMPLICATION OF LAW, ARE EXPRESSLY LIMITED TO A TERM OF ONE YEAR. SOME STATES DO NOT ALLOW LIMITATIONS ON HOW LONG A LIMITED WARRANTY LASTS, SO THE ABOVE LIMITATION MAY NOT APPLY TO YOU.
4. UNDER NO CIRCUMSTANCES SHALL RARITAN BE LIABLE TO PURCHASER OR ANY OTHER PERSONS FOR ANY SPECIAL OR CONSEQUENTIAL DAMAGES, WHETHER ARISING OUT OF BREACH OF WARRANTY, BREACH OF CONTRACT, OR OTHERWISE. SOME STATES DO NOT ALLOW THE EXCLUSION OR LIMITATION OF INCIDENTAL OR CONSEQUENTIAL DAMAGES, SO THE ABOVE LIMITATION OR EXCLUSION MAY NOT APPLY TO YOU.
5. No other person or entity is authorized to make any express warranty, promise or affirmation of fact or to assume any other liability on behalf of Raritan in connection with its products except as specifically set forth in this warranty.
6. This warranty gives you specific legal rights, and you may also have other rights which vary from state to state.



530 Orange Street, Millville, NJ 08332 USA
Telephone: 856-825-4900 FAX: 856-825-4409
www.raritaneng.com